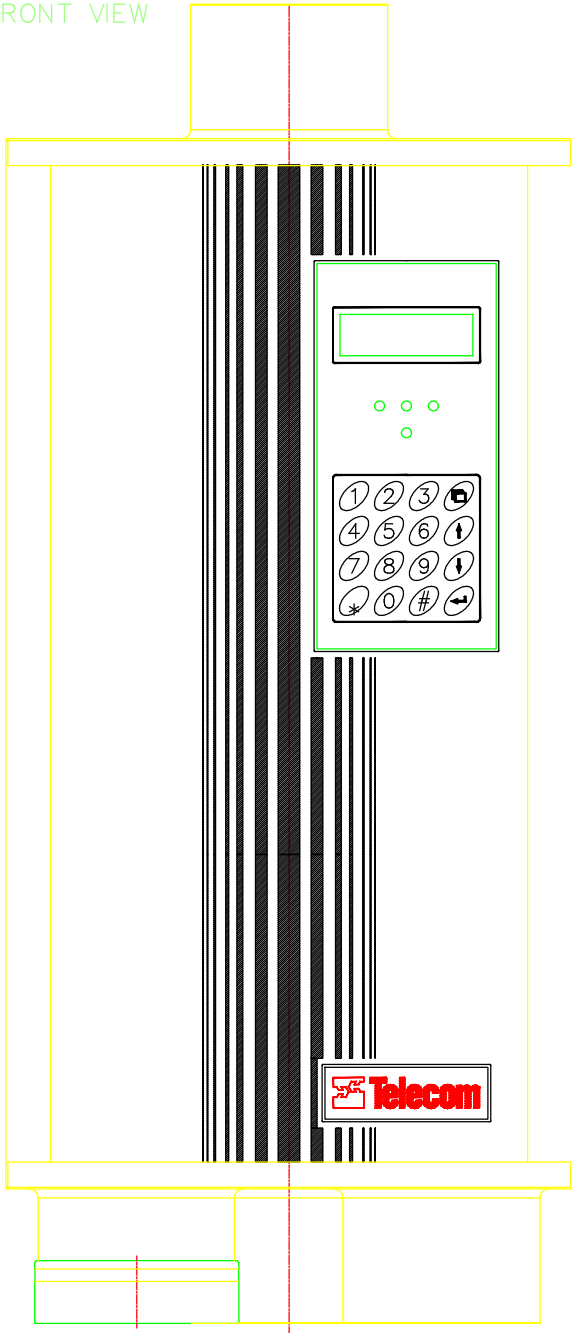
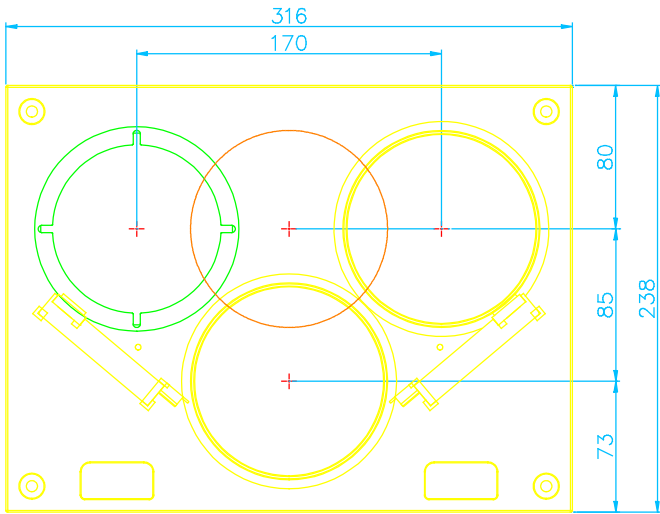
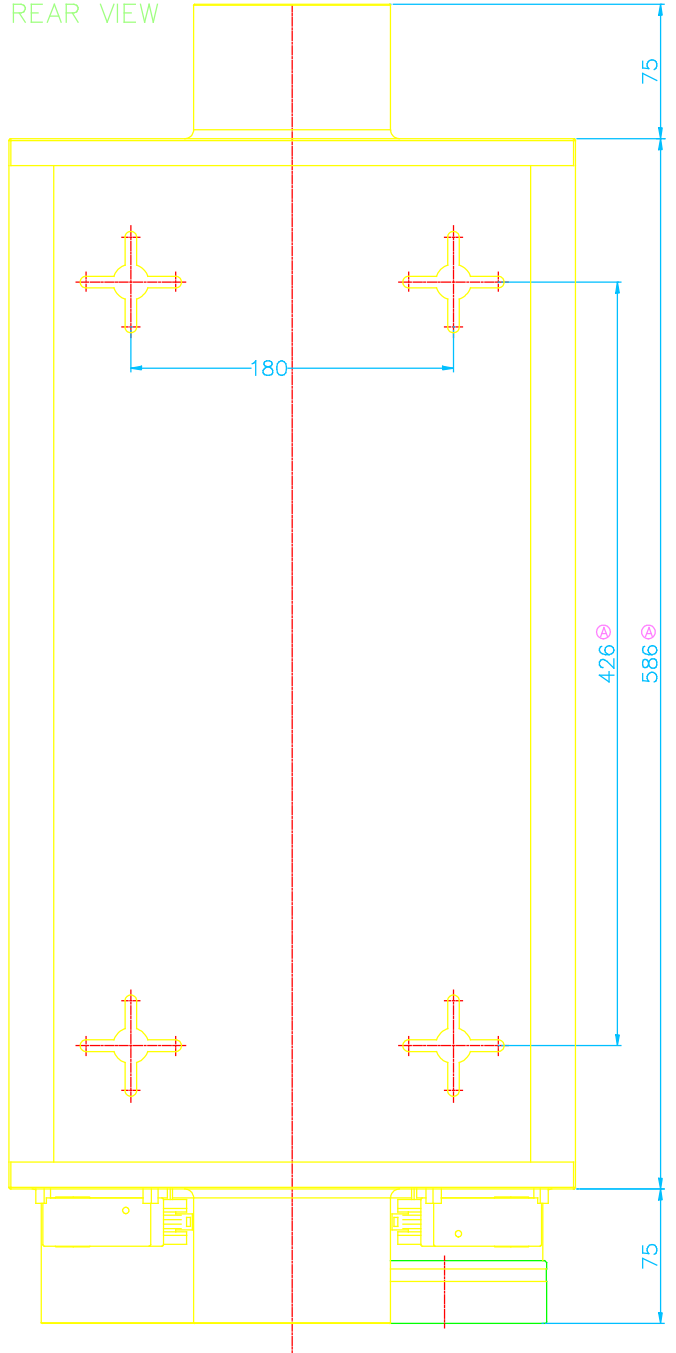


FRONT VIEW



REAR VIEW



D:\Foto's\Luna\Luna110.JPG

This drawing is TELECOM property it may not be copied or exhibited without written permission.

**ATTENTION**  
This can be a reduction  
use this scale  
0 10 20 30 40 50 60 70mm


DRN: PMK	CHKD:	SHEET: OF	SHEETS	DRG No	WST110_MS
DATE: 10-10-2000	DATE:	SCALE: 1:2	DIM IN: mm	ISSUE: 2	



MAATSCHETS  
MASSKIZZE  
DIMENSIONED SKETCH  
CROQUIS COTE

(WST110)  
LUNA

WST110  
MS

415->426, 585->586 01.21