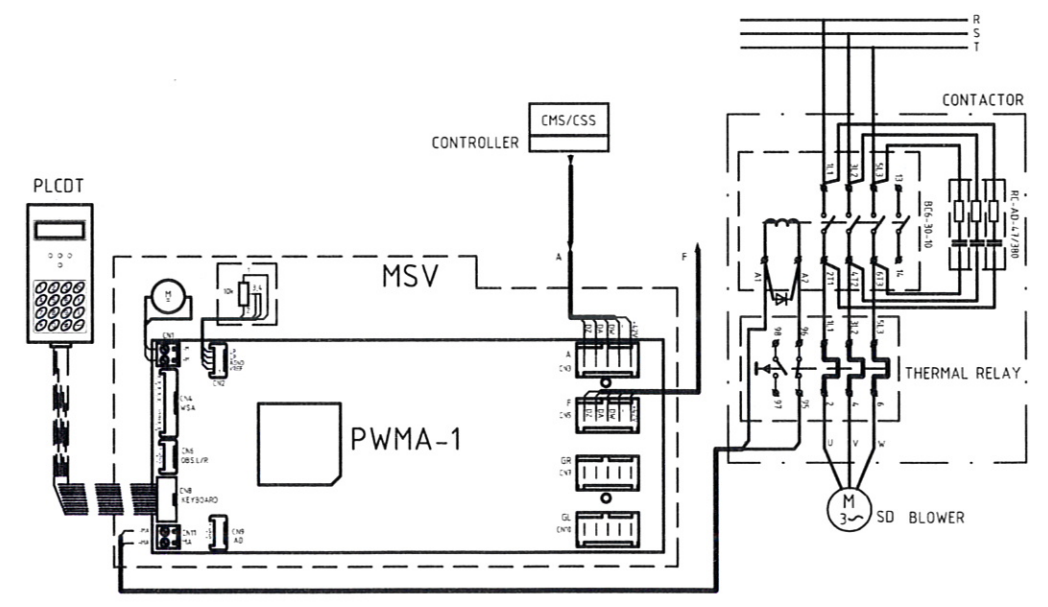
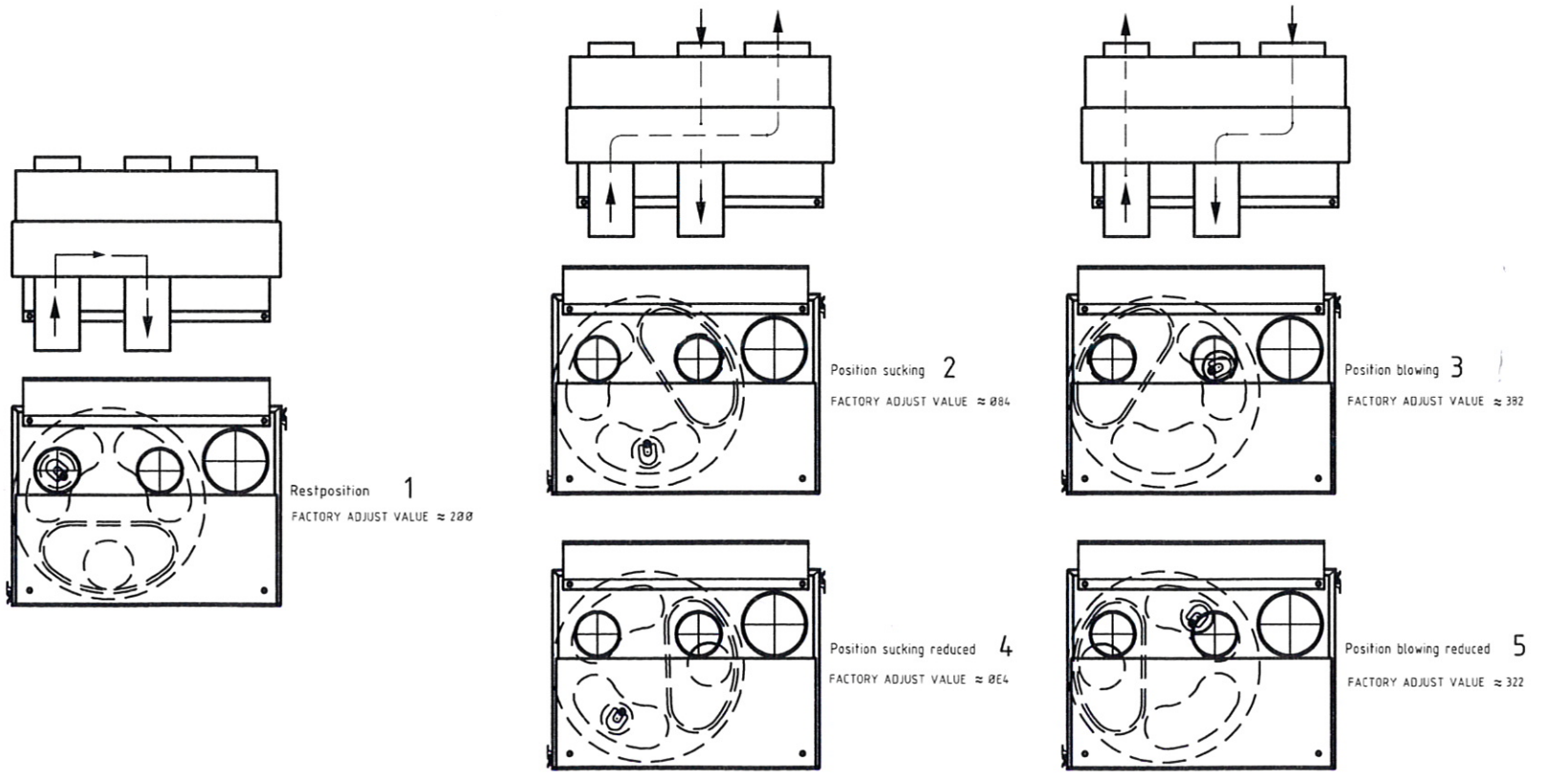
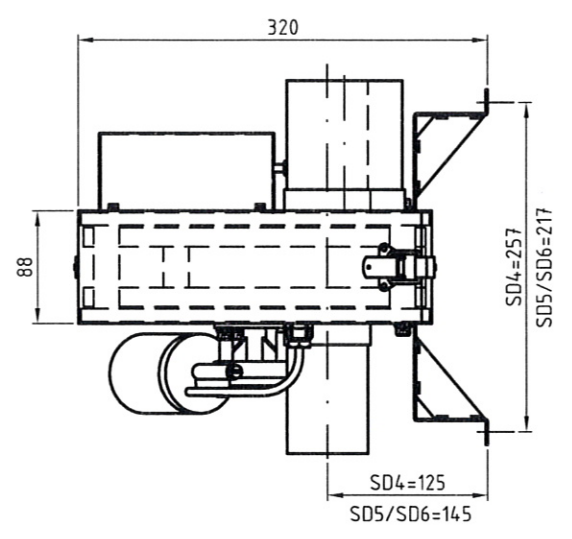
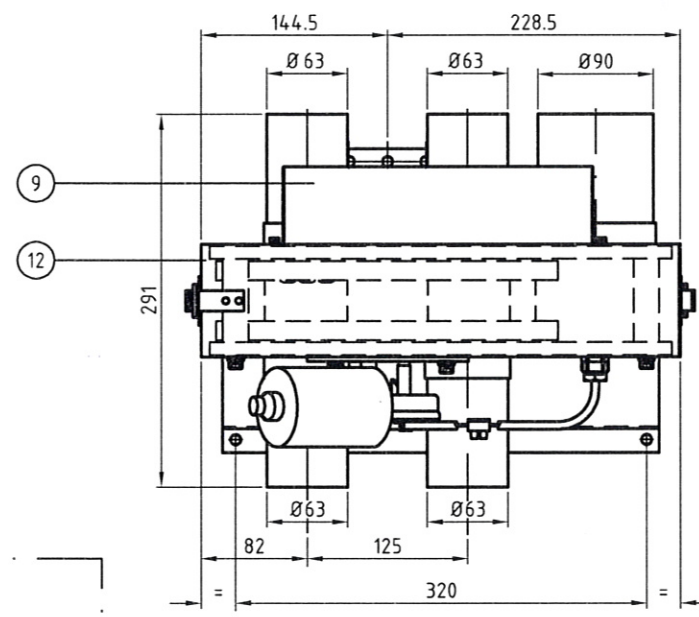
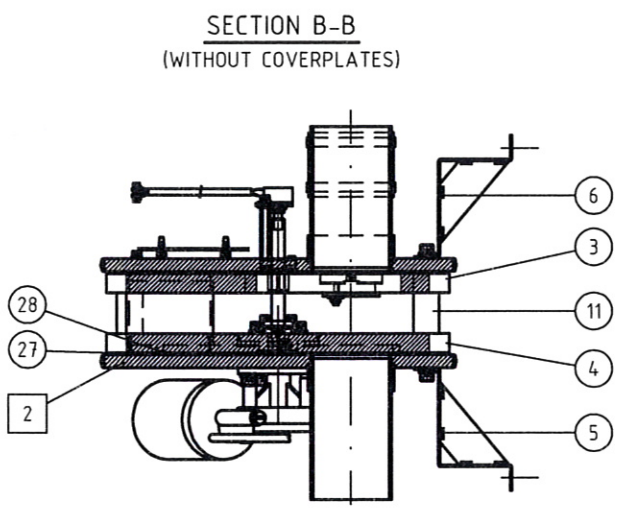
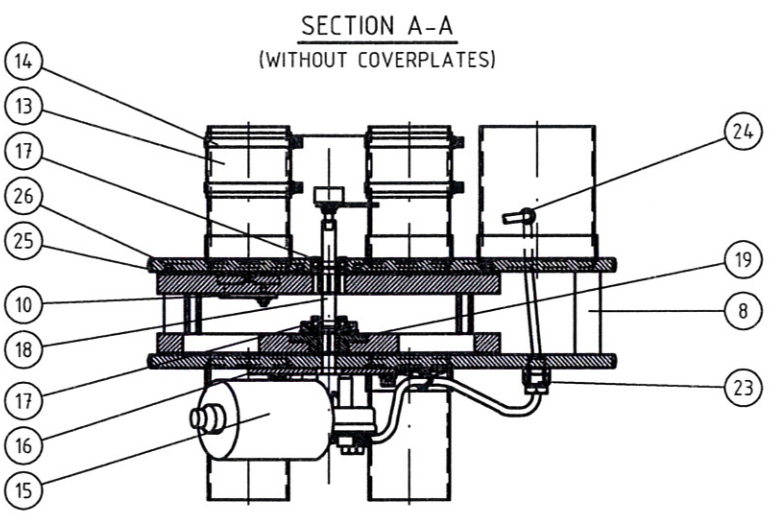
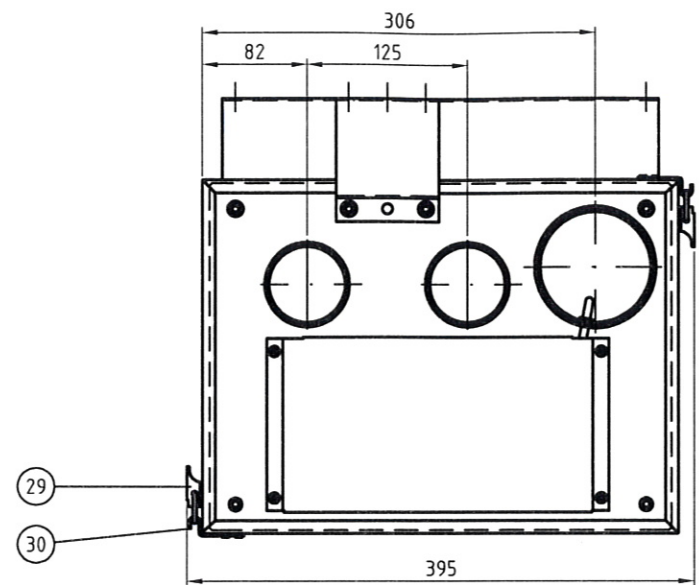
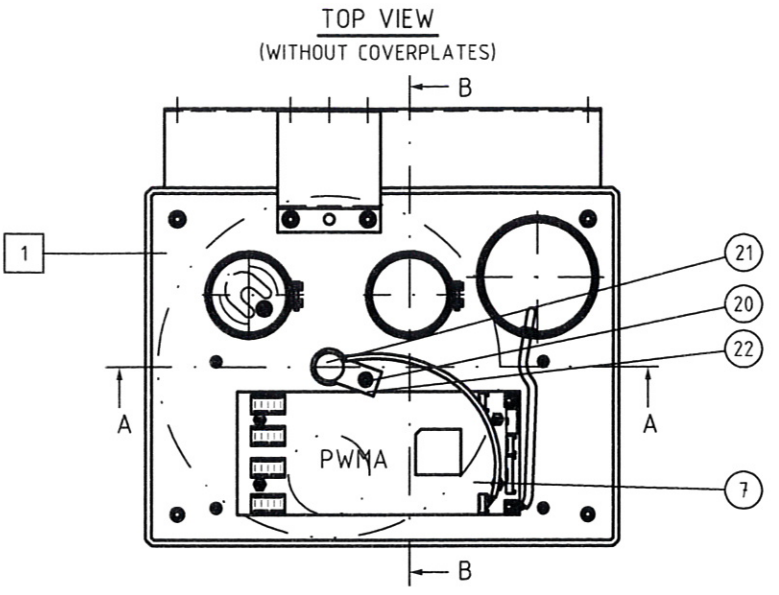




TUPPI GmbH
ROHRPOST- UND FÖRDERTECHNIK

Wilhelm-Röntgen-Straße 20
63477 Maintal (Dörnigheim)

T +49 6181 - 44 11 22
+49 6181 - 44 11 33
F +49 6181 - 44 11 30
E info@tuppi.de
W www.tuppi.de



DRN: PMK	CHKD:	SHEET: OF SHEETS	DRG No: MSVinside
DATE: 24-05-1996	DATE:	SCALE: 1:4	DIM IN: mm
		ISSUE: 4	
MSV INSIDE			

This drawing is TELECOM property; it may not be copied or exhibited without written permission.